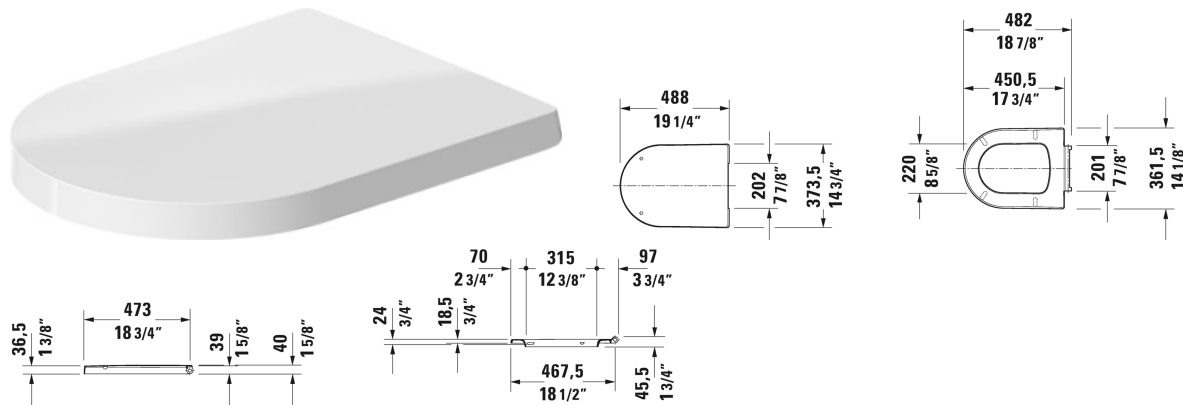


ME by Starck Toilet seat and cover # 0020290000



| Toilet seat and cover | Dimension | Weight | Order number |
|--|------------------------|--------|--------------|
| elongated, hinges stainless steel, removable, with slow close | | | |
| Colors | | | |
| 00 White | | | |
| Variant | | | |
| | | 4.9 lb | 0020290000 |
| Suitable products | | | |
| Two-Piece toilet (without tank), syphonic, 12" rough-in, vertical outlet, cUPC® listed*, 14 1/8" x 28" Inch | 14 1/8" x 28" Inch | | 217101 |
| One-Piece toilet Duravit Rimless® rimless, syphonic, 12" rough-in, suitable for SensoWash Starck, vertical outlet, cUPC® listed*, 14 1/8" x 28 3/4" Inch | 14 1/8" x 28 3/4" Inch | | 217301 |
| One-Piece toilet Duravit Rimless® rimless, syphonic, 12" rough-in, vertical outlet, cUPC® listed*, 14 1/8" x 28 3/4" Inch | 14 1/8" x 28 3/4" Inch | | 218501 |

All drawings contain the necessary measurements which are subject to standard tolerances. They are stated in inch & mm and are non-binding. Exact measurements, in particular for customized installation scenarios, can only be taken from the finished ceramic piece.