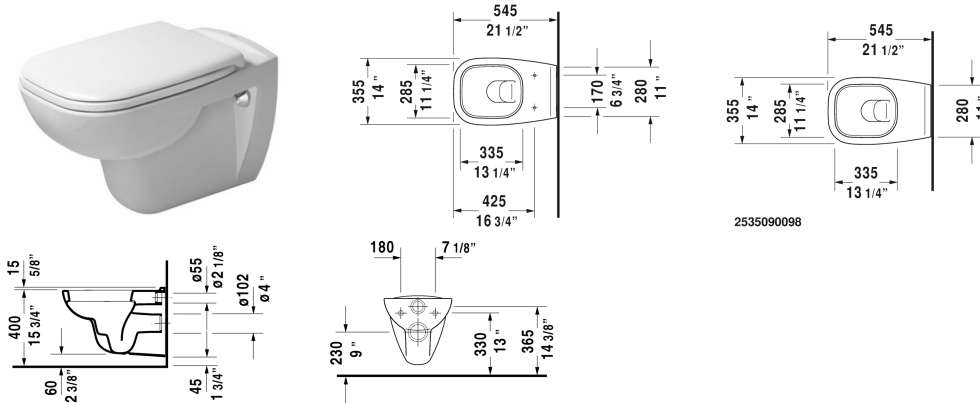


D-Code Toilet wall-mounted ♿ # 253509..922 / 253509..922

| < 14" Inch > |



Toilet wall-mounted	Dimension	Weight	Order number
washdown model, cUPC® listed*			
Colors			
00 White 20 HygieneGlaze (an antibacterial ceramic glaze that provides almost indefinite effectiveness)			
Variant			
♣ 1.6/0.8 gpf	14" x 21 1/2" Inch	44.1 lb	253509..922
♣ 1.6/0.8 gpf	14" x 21 1/2" Inch	44.1 lb	253509..922
Infobox			
* Complies with following standards: ASME A112.19.2/CSA B45.1 and ASME A112.19.14, Wall-mounted toilet is ADA compliant, when installed with a seat height of 17" - 19" from the finished floor, In-wall tank & carrier and actuator plate required for installation			
Actuator plate A1, for toilet, plastic mechanical actuation, for surface mounted installation, dual flush, mounting frame, mounting hardware included, push rods, front plate plastic	8 1/2" x 5 3/4" Inch	0.7 lb	WD5008
Toilet in-wall tank & carrier, Standard for toilets with a projection of <= 24 5/8", adjustable feet 0" - 9 1/2", SensoWash ready, mechanical front flush actuation, includes in-wall tank, marking of filling height, dual flush, insulated against condensation, Scope of delivery, HDPE wall-mounted toilet connection bend DN 90/90, PE wall-mounted toilet connection set DN 90, wall-mounted mounting rods M12, mounting hardware included, 2 bolt caps, cUPC® listed*	23 1/4" x 45 1/4" Inch	35.3 lb	WD1022
Noise reduction gasket for wall-mounted toilet		0.7 lb	005020
Suitable products			
Toilet seat and cover hinges plastic, with slow close,			006739

D-Code Toilet wall-mounted  # 253509..922 / 253509..922

|< 14" Inch >|

All drawings contain the necessary measurements which are subject to standard tolerances. They are stated in inch & mm and are non-binding. Exact measurements, in particular for customized installation scenarios, can only be taken from the finished ceramic piece.