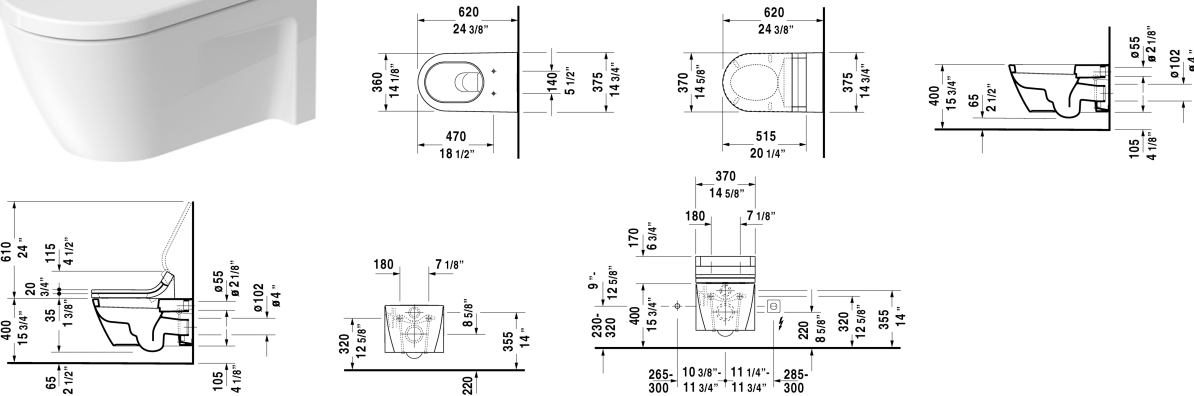


Starck 2 Toilet wall-mounted ♿ # 2533090092

< 14 1/8" Inch >



Toilet wall-mounted	Dimension	Weight	Order number
washdown model, Durafix included, suitable for SensoWash Starck, cUPC® listed*			
<b>Colors</b>			
00 White			
<b>Variant</b>			
♿ 1.6/0.8 gpf	14 1/8" x 24 3/8" Inch	63.9 lb	2533090092
<b>Infobox</b>			
* Complies with following standards: ASME A112.19.2/CSA B45.1 and ASME A112.19.14, Durafix for concealed installation is included, For Starck 2 toilets manufactured before February 2012, the toilet seats without soft-close # 0066910000 and with soft-close # 0066990000 are suitable, Wall-mounted toilet is ADA compliant, when installed with a seat height of 17" - 19" from the finished floor, In-wall tank & carrier and actuator plate required for installation, For suitable SensoWash® shower-toilet seats, please see matrix on page xxx			
Sanitary ceramics with the special WonderGliss surface finish will remain clean and attractive-looking for a long time to come. When ordering WonderGliss please add a "1" as eleventh digit to the model number.			
Actuator plate A1, for toilet, plastic mechanical actuation, for surface mounted installation, dual flush, mounting frame, mounting hardware included, push rods, front plate plastic	8 1/2" x 5 3/4" Inch	0.7 lb	WD5008

**Starck 2 Toilet wall-mounted ♿ # 2533090092**

| &lt; 14 1/8" Inch &gt; |

Toilet in-wall tank & carrier, Standard for toilets with a projection of <= 24 5/8", adjustable feet 0" - 9 1/2", SensoWash ready, mechanical front flush actuation, includes in-wall tank, marking of filling height, dual flush, insulated against condensation, Scope of delivery, HDPE wall-mounted toilet connection bend DN 90/90, PE wall-mounted toilet connection set DN 90, wall-mounted mounting rods M12, mounting hardware included, 2 bolt caps, cUPC® listed*	23 1/4" x 45 1/4" Inch	35.3 lb	WD1022
Noise reduction gasket for wall-mounted toilet		0.7 lb	005064
<b>Suitable products</b>			
SensoWash® Starck shower-toilet seat for Starck 2, Starck 3 and Darling New* Rear-, Lady- and Comfortwash, individual adjustment of water-, air- and seat surface temperature as well as nozzle position and jet strength, power actuated lid and seat, night light, 2 individually programmable user profiles, remote control included, self-cleaning wand, on / off-button, Quick release: easy seat unit removal and attachment, 14 5/8" x 20 1/4" Inch	14 5/8" x 20 1/4" Inch		610000
Toilet seat ring elongated, open front, hinges plastic, without slow close,			006431
Toilet seat ring elongated, open front, hinges plastic, with slow close,			006439
Toilet seat and cover elongated, hinges stainless steel, without slow close,			006332
Toilet seat and cover elongated, hinges stainless steel, removable, with slow close,			006339

*All drawings contain the necessary measurements which are subject to standard tolerances. They are stated in inch & mm and are non-binding. Exact measurements, in particular for customized installation scenarios, can only be taken from the finished ceramic piece.*