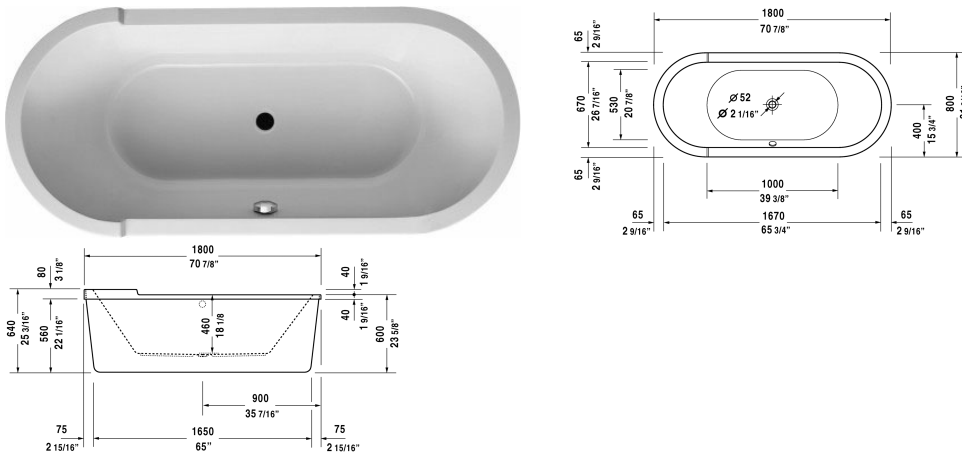


Starck Tubs/Shower trays Bathtub # 700010000000090

| < 70 7/8" Inch > |



Bathtub	Dimension	Weight	Order number
oval, freestanding, with two backrest slopes, with acrylic panel and support frame, cUPC® listed*, Sanitary acrylic , Filling capacity 45 gal , water level 14 Inch			
Colors			
00 White			
Variant			
with special waste and overflow, Base tub	70 7/8" x 31 1/2" Inch	127.9 lb	700010000000090
Infobox			
* Complies with the following standards: CSA B45.5/IAPMO Z124			
Suitable products			
Cable-driven waste and overflow for central outlet, (included), for # 700010,			790237
Drop-in drain (PVC), for all back-to-wall, corner and freestanding bathtubs, cUPC® listed*,			791281
Drop-in drain (ABS), for all back-to-wall, corner and freestanding bathtubs, cUPC® listed*,			791282

All drawings contain the necessary measurements which are subject to standard tolerances. They are stated in inch & mm and are non-binding. Exact measurements, in particular for customized installation scenarios, can only be taken from the finished ceramic piece.