

# KOHLER®

**Undertone®**  
Undermount kitchen sink  
**K-3166**

## Features

- 45" (1143 mm) minimum base cabinet width.
- 9-1/2" depth left bowl, 5-1/2" depth center bowl, and 7-1/2" depth right bowl.
- Rounded bowls.
- Sink drain with strainer sold separately.

## Material

- Premium 18-gauge stainless steel.

## Installation

- Undermount.

## Recommended Products/Accessories

K-6539 Drainboard with Sink Rack  
K-8801 Sink drain and strainer with tailpiece  
K-8799 Sink drain and strainer basket  
K-23726 Drain treatment  
K-23729 Stainless steel cleaner

## Optional Products/Accessories

K-3278 Hardwood cutting board for Undertone® kitchen sinks  
K-6139 Sponge Caddy  
K-11352 Disposal Flange with Stopper

## Included Components

Product consists of:

91915 Hardware Kit



## Codes/Standards

ASME A112.19.3/CSA B45.4

## KOHLER® Stainless Steel Sinks Lifetime Limited Warranty

See website for detailed warranty information.

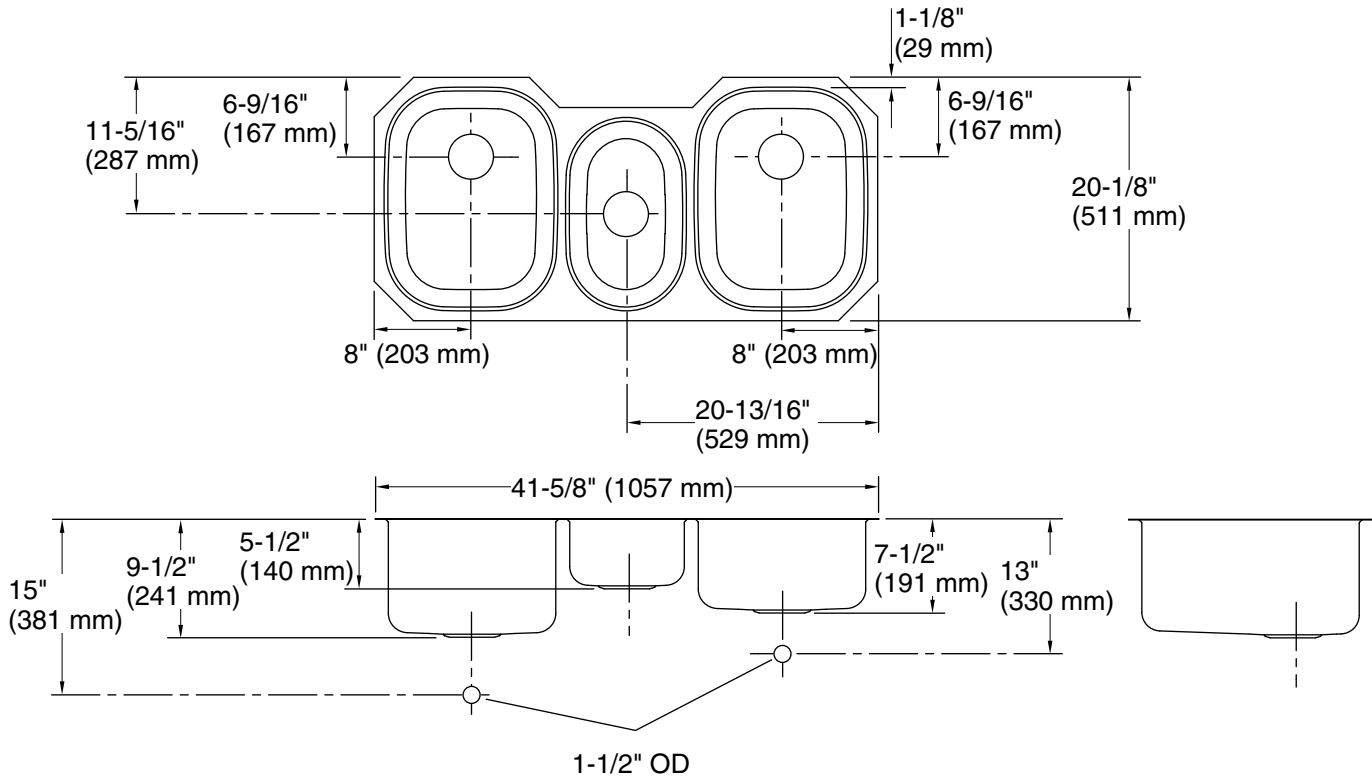
1-800-4KOHLER (1-800-456-4537)

Kohler Co. reserves the right to make revisions without notice to product specifications.

For the most current Specification Sheet, go to [www.kohler.com](http://www.kohler.com).

6-11-2021 04:54 - US/CA

THE BOLD LOOK  
OF **KOHLER®**



## Technical Information

All product dimensions are nominal.

Bowl configuration: Two equal bowls and center bowl

Installation: Undermount

Min. base cabinet width: 45" (1143 mm)

Bowl area (Left): Length: 14" (356 mm)  
Width: 18" (457 mm)  
Bowl depth: 9-1/2" (241 mm)

Bowl area (Center): Length: 9" (229 mm)  
Width: 15" (381 mm)  
Bowl depth: 5-1/2" (140 mm)

Bowl area (Right): Length: 14" (356 mm)  
Width: 18" (457 mm)  
Bowl depth: 7-1/2" (191 mm)

Drain hole: 3-5/8" (92 mm)

Template: 1047579-7, required, included

## Notes

Install this product according to the installation instructions.