



Strive®
Sink rack for K-5409 Strive® kitchen sink
K-5408

Features

- Included with the K-5409-NA Strive kitchen sink.
- Helps protect sink surface from daily wear.
- Dishwasher-safe.
- Rubber feet provide added protection.

Material

- Durable stainless steel construction.

Recommended Products/Accessories

K-23729 Stainless steel cleaner



Codes/Standards

None Applicable

**KOHLER® One-Year Limited
Warranty**

See website for detailed warranty information.

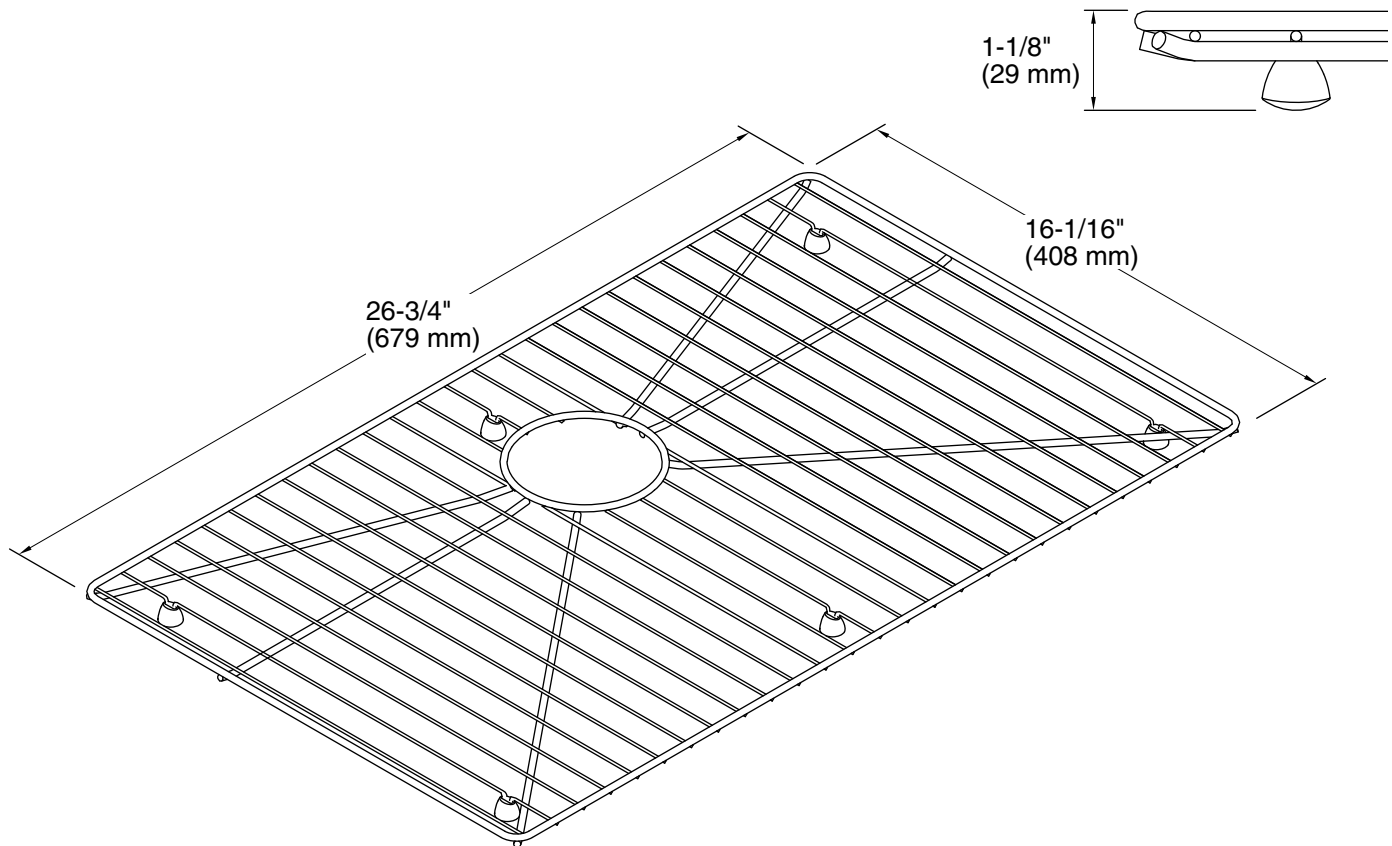
Available Colors/Finishes

Color tiles intended for reference only.

Color	Code	Description
	ST	Stainless Steel

KOHLER®

Strive® Sink rack for K-5409 Strive® kitchen sink K-5408



Technical Information

All product dimensions are nominal.

Material: Stainless Steel

1-800-4KOHLER (1-800-456-4537)

Kohler Co. reserves the right to make revisions without notice to product specifications.

For the most current Specification Sheet, go to www.kohler.com.

9-4-2021 04:48 - US/CA

THE BOLD LOOK
OF **KOHLER®**